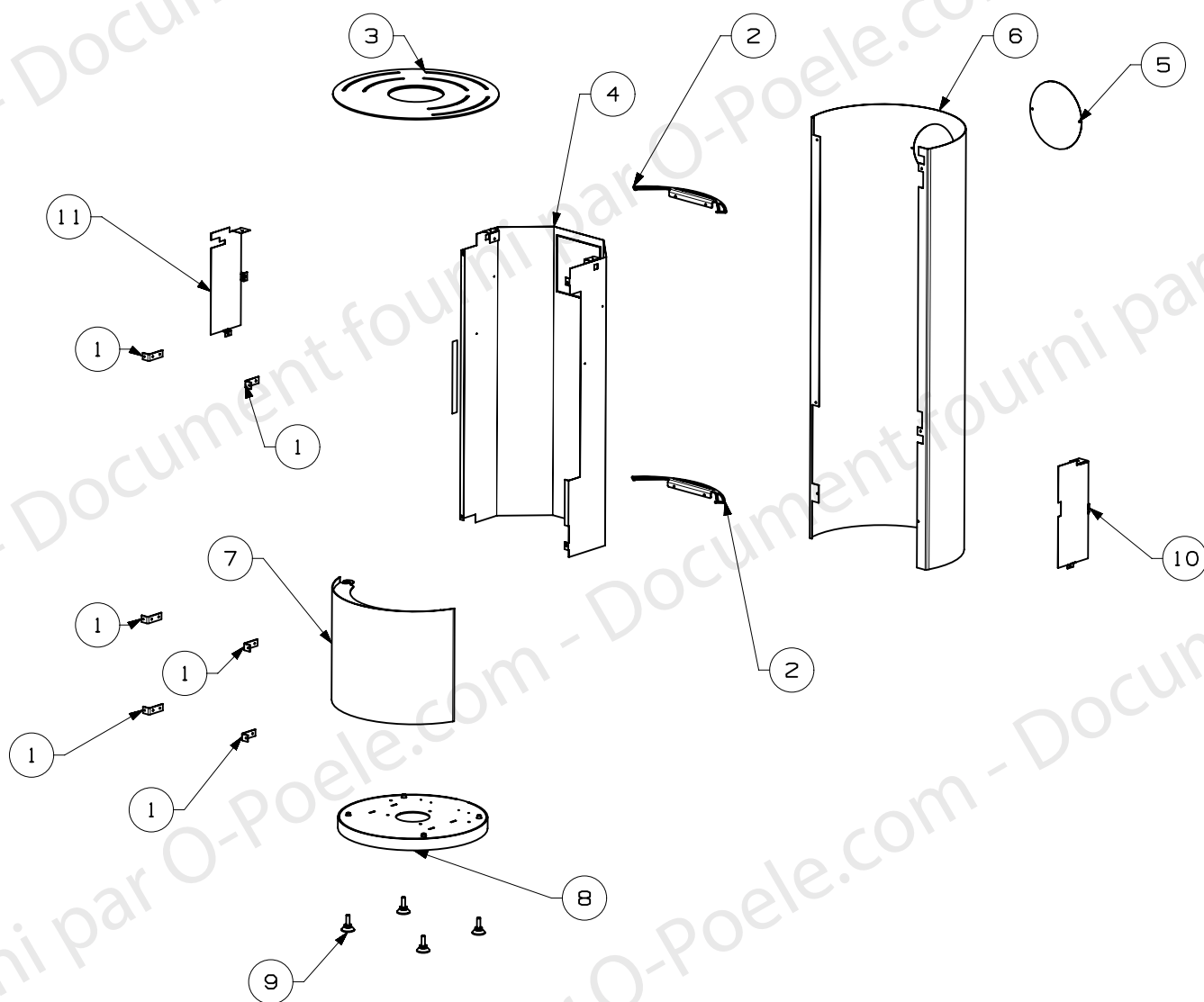
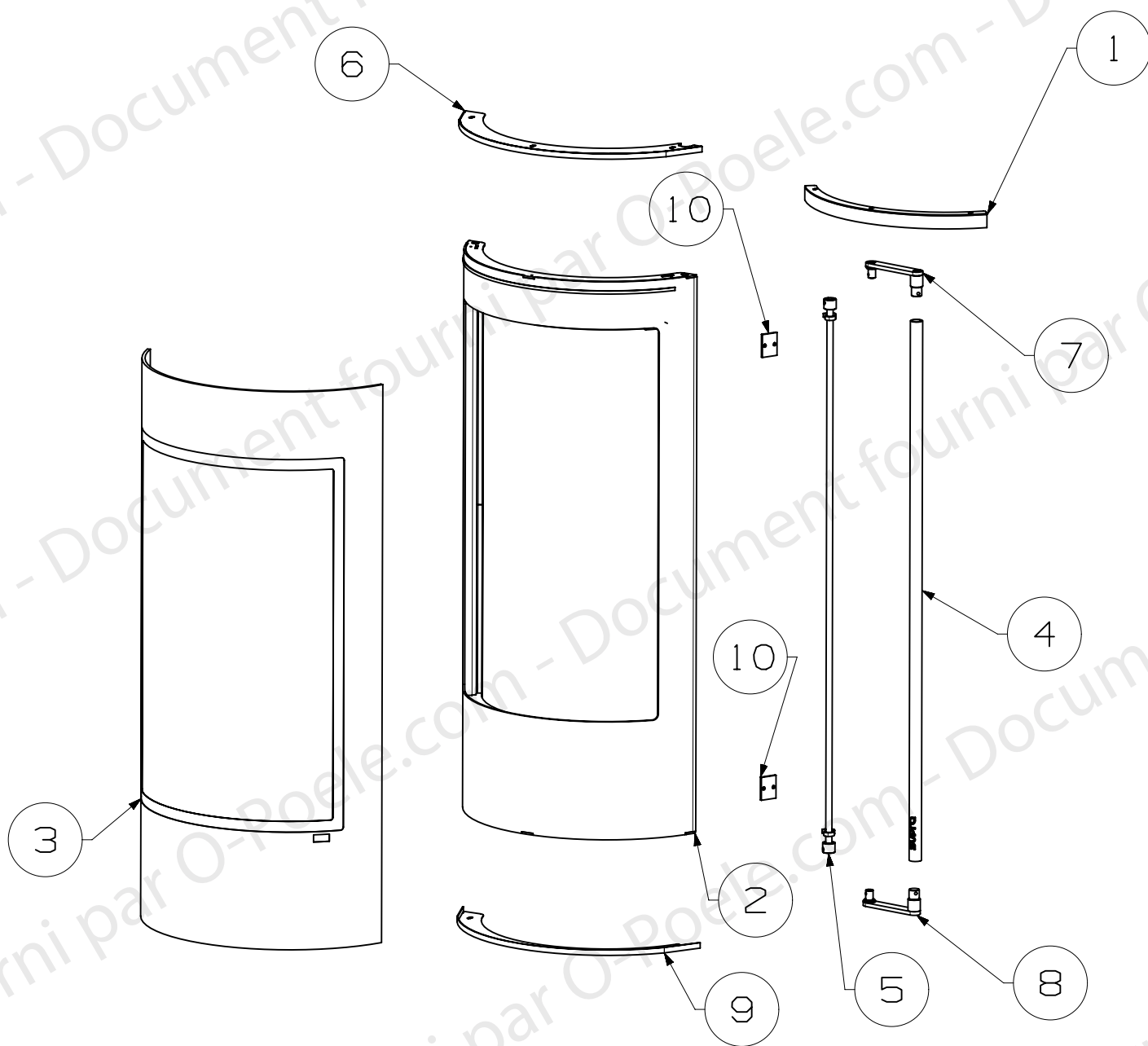


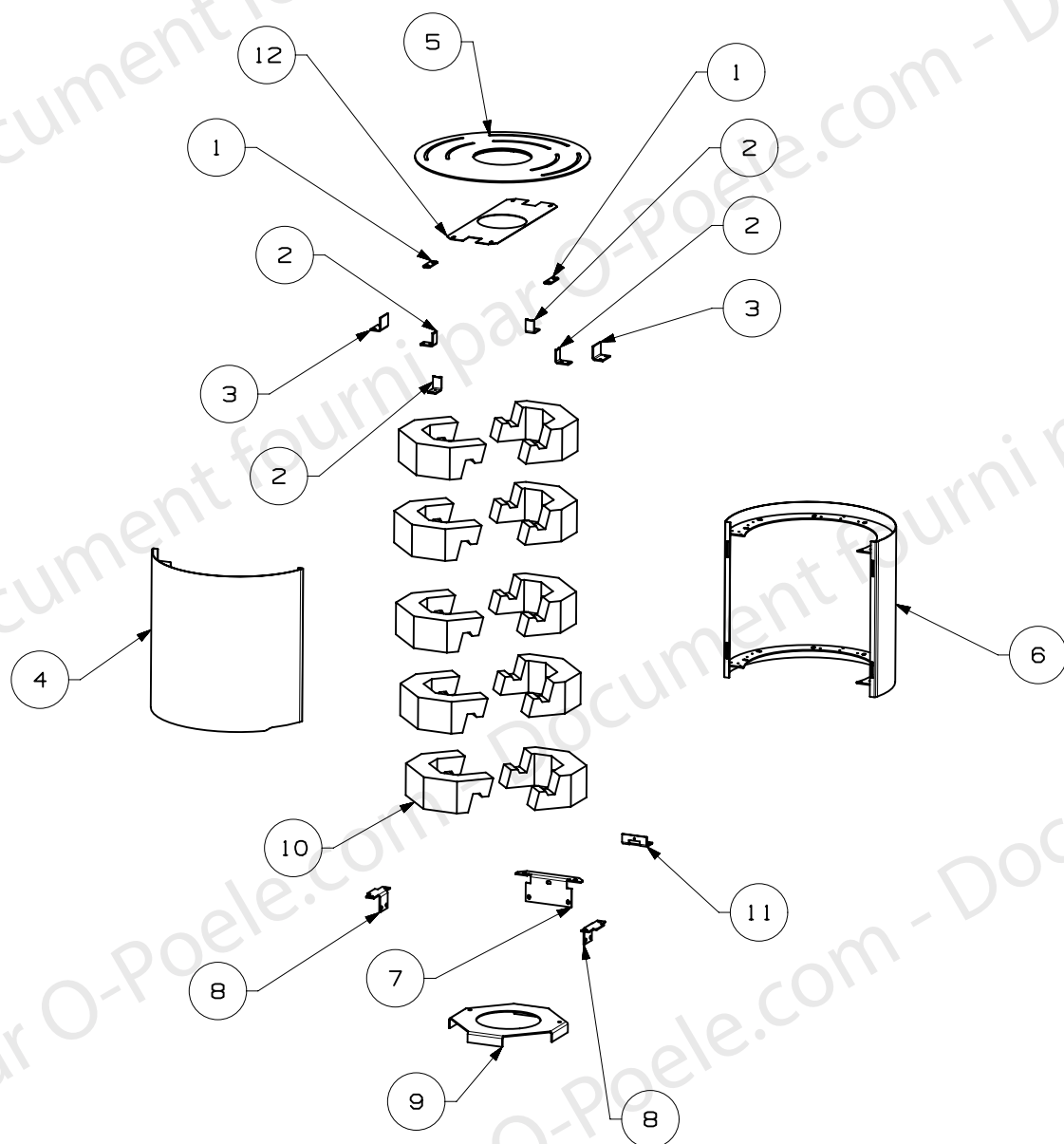
| | | | |
|-----|-------|------------------------|-----|
| 14 | 42236 | BOITIER REGISTRE D'AIR | 1 |
| 13 | 42228 | GACHE E-S | 2 |
| 12 | 42222 | CORPS DE CHAUFFE E-S | 1 |
| 11 | 42217 | BUCHER E-S | 1 |
| 10 | 41562 | BUSE FONTE D 150 | 1 |
| 9 | 41331 | TAMPON CDC | 1 |
| 8 | 41257 | CENDRIER | 1 |
| 7 | 40920 | DEFLECTEUR | 1 |
| 6 | 40829 | ENSEMBLE VERMICULITE | 1 |
| 5 | 40628 | CANAL D'AIR | 2 |
| 4 | 40622 | PAUMELLE E-S | 4 |
| 3 | 40619 | CALE | 2 |
| 2 | 36305 | SUPPORT CENDRIER | 1 |
| 1 | 04165 | GRILLE FONTE | 1 |
| REP | CODE | DESIGNATION | QTE |



| | | | | |
|-----|-------|------------|-----------------------------|-----|
| 11 | 42825 | 42825 | PROTECTION THERMIQUE GAUCHE | 1 |
| 10 | 42826 | 42826 | PROTECTION THERMIQUE DROITE | 1 |
| 9 | 44024 | 44024 | VERIN M10X30 | 4 |
| 8 | 42220 | 42220 | SOCLE E-S | 1 |
| 7 | 42226 | 42226 | PORTE DE BUCHER E-S | 1 |
| 6 | 42216 | 43706 | HABILLAGE | 1 |
| 5 | 41131 | 41131 | TAMPON HABILLAGE | 1 |
| 4 | 41610 | 41610 | ECRAN THERMIQUE | 1 |
| 3 | 41034 | 41034 | COUVERCLE E-S | 1 |
| 2 | 40709 | 40709 | ARCEAU | 2 |
| 1 | 40614 | 40614 | EQUERRE DE FIXATION | 6 |
| REP | CODE | LAURE ACCU | LAURE | QTE |



| | | | |
|-----|-------|-----------------------------------|-------|
| 10 | 42239 | PLATINE DE FIXATION AXE DE PORTE | 2 |
| 9 | 42244 | FIXE VITRE INF. | 1 |
| 8 | 40865 | PLATINE INF. DE POIGNEE E-S | 1 |
| 7 | 40863 | PLATINE SUP. DE POIGNEE E-S | 1 |
| 6 | 42243 | FIXE VITRE SUPERIEUR | 1 |
| 5 | 42248 | AXE DE PORTE E-S | 1 |
| 4 | 42195 | POIGNEE INOX | 1 |
| 3 | 42067 | VITRE | 1 |
| 2 | 42238 | PORTE E-S | 1 |
| 1 | 42240 | DEFLECTEUR AIR DE VITRE E-S | 1 |
| | | JOINT DE VITRE "NON VU" REF.41181 | 3 M |
| | | JOINT DE PORTE "NON VU" REF.33916 | 3.6 M |
| REP | CODE | DESIGNATION | QTE |



| | | | |
|-----|-------|--|-----|
| 12 | 43715 | PLAQUE DE MAINTIEN | 1 |
| 11 | 43760 | PATTE DE CENTRAGE | 1 |
| 10 | 43428 | PIERRE ACCUMULATRICE | 10 |
| 9 | 43701 | SUPPORT BRIQUES ACCUMULATION | 1 |
| 8 | 43702 | SUPPORT LATERAL CAISSON PARTIE ARRIERE | 2 |
| 7 | 43703 | SUPPORT CENTRAL CAISSON PARTIE ARRIERE | 1 |
| 6 | 43709 | ARRIERE ACCUMULATION | 1 |
| 5 | 41034 | COUVERCLE E-S | 1 |
| 4 | 43712 | FACADE ACCUMULATION | 1 |
| 3 | 43714 | SUPPORT DE POSITIONNEMENT DESSUS | 2 |
| 2 | 43713 | SUPPORT DESSUS | 4 |
| 1 | 43761 | PATTE DE BLOCAGE | 2 |
| REP | CODE | DESIGNATION | QTE |